

# Cable terminations

## Pre-insulated terminals

### Bullets (Male/Female)

**Material:** Brass - Tin Plated

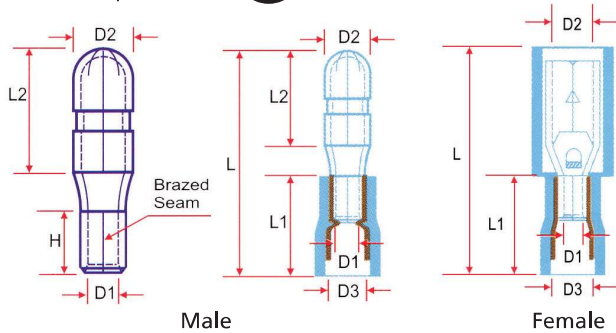
**Insulation:** Polyvinyl Chloride

Max. elec. rating: ● 10 amp

300 volts 75°C

Vibration resistant

RoHS compliant



#### Male

Wire Range mm <sup>2</sup> (AWG)	Part No.	Dimensions in mm						
		D1	D2	D3	L	L1	L2	H
● 0.5-1.5 (22-16)	<b>4RBM</b>	1.8	4.0	4.3	20.7	10.0	8.5	5.5

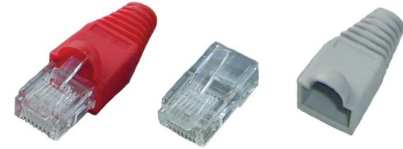
Pack Quantity: 100

#### Female

Wire Range mm <sup>2</sup> (AWG)	Part No.	Dimensions in mm						
		D1	D2	D3	L	L1	L2	H
● 0.5-1.5 (22-16)	<b>4RSF</b>	1.8	4.0	4.3	23.6	10.5	7.3	5.5

Pack Quantity: 100

### Modular Plugs and Plug Covers



Part No.	Description
<b>RJ45-8A2</b>	Modular Plug (stranded wire)
<b>RJ45-8A3</b>	Modular Plug (stranded wire or solid wire)
<b>RJ45-60GY</b>	Grey Plug Cover
<b>RJ45-60R</b>	Red Plug Cover

Pack Quantity: 100

#### Tools to crimp modular plugs and plug covers:

MCK (see page 172)

MCT (see page 172)

IPDT-KR (see page 172)

CCS359 (see page 172)



# Cable terminations

## Pre-insulated terminals

### Bullets (Male/Female)

**Material:** Brass - Tin Plated

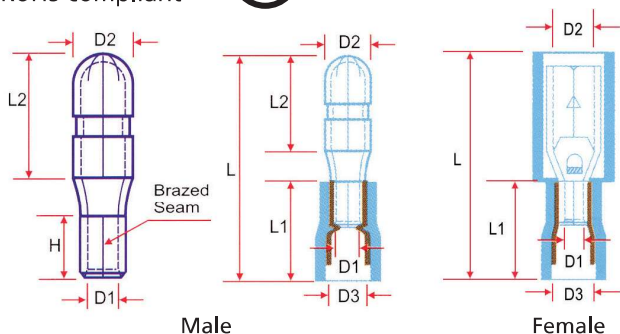
**Insulation:** Polyvinyl Chloride

Max. elec. rating: ● 15 amp

300 volts 75°C

Vibration resistant

RoHS compliant



#### Male

Wire Range mm <sup>2</sup> (AWG)	Part No.	Dimensions in mm						
		D1	D2	D3	L	L1	L2	H
● 1.5-2.5 (16-14)	<b>4BBM</b>	2.3	4.0	4.8	20.5	10.0	8.5	5.5
	<b>50BBM</b>	2.3	5.0	4.8	21.0	10.0	8.5	5.5

Pack Quantity: 100

#### Female

Wire Range mm <sup>2</sup> (AWG)	Part No.	Dimensions in mm						
		D1	D2	D3	L	L1	L2	H
● 1.5-2.5 (16-14)	<b>4BSF</b>	2.3	4.0	4.3	23.6	11.5	7.3	5.5
	<b>50BSF</b>	2.3	5.0	4.8	23.6	11.5	7.0	5.5

Pack Quantity: 100

### Modular Plugs and Plug Covers



Part No.	Description
<b>RJ45-8A2</b>	Modular Plug (stranded wire)
<b>RJ45-8A3</b>	Modular Plug (stranded wire or solid wire)
<b>RJ45-60GY</b>	Grey Plug Cover
<b>RJ45-60BL</b>	Blue Plug Cover

Pack Quantity: 100

#### Tools to crimp modular plugs and plug covers:

MCK (see page 172)

MCT (see page 172)

IPDT-KR (see page 172)

CCS359 (see page 172)



# Cable terminations

## Pre-insulated terminals

### Bullets (Male/Female)

**Material:** Brass - Tin Plated

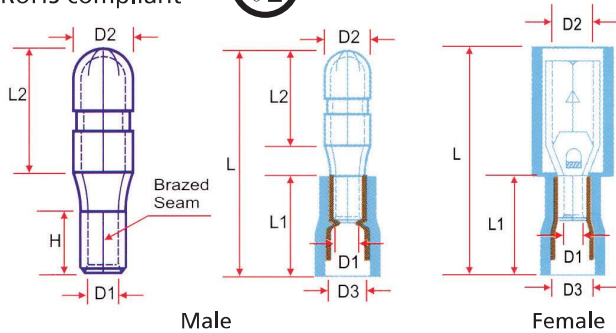
**Insulation:** Polyvinyl Chloride

Max. elec. rating: ● 24 amp

300 volts 75°C

Vibration resistant

RoHS compliant



#### Male

Wire Range mm <sup>2</sup> (AWG)	Part No.	Dimensions in mm						
		D1	D2	D3	L	L1	L2	H
● 4-6 (12-10)	<b>50YBM</b>	3.5	5.0	6.6	25.0	13.5	8.5	6.5

Pack Quantity: 100

#### Female

Wire Range mm <sup>2</sup> (AWG)	Part No.	Dimensions in mm						
		D1	D2	D3	L	L1	L2	H
● 4-6 (12-10)	<b>50YSF</b>	3.5	5.0	6.5	26.7	13.8	7.0	6.5

Pack Quantity: 100

### Modular Plugs and Plug Covers



Part No.	Description
<b>RJ45-8A2</b>	Modular Plug (stranded wire)
<b>RJ45-8A3</b>	Modular Plug (stranded wire or solid wire)
<b>RJ45-60GY</b>	Grey Plug Cover
<b>RJ45-60Y</b>	Yellow Plug Cover

Pack Quantity: 100

### Tools to crimp modular plugs and plug covers:

MCK (see page 172)

MCT (see page 172)

IPDT-KR (see page 172)

CCS359 (see page 172)

